

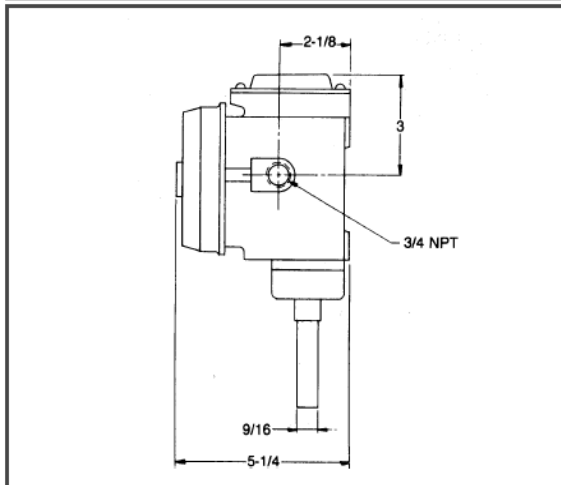
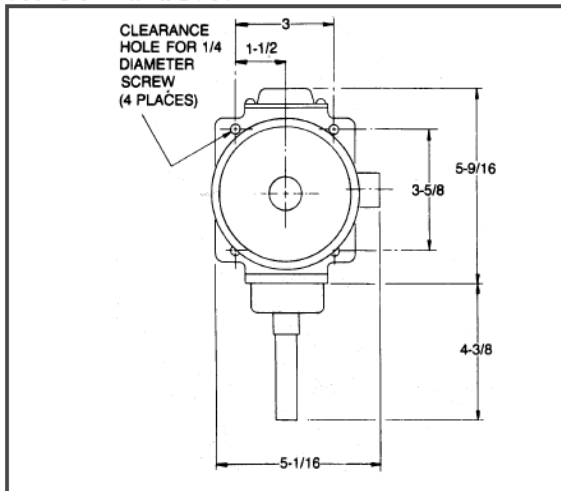
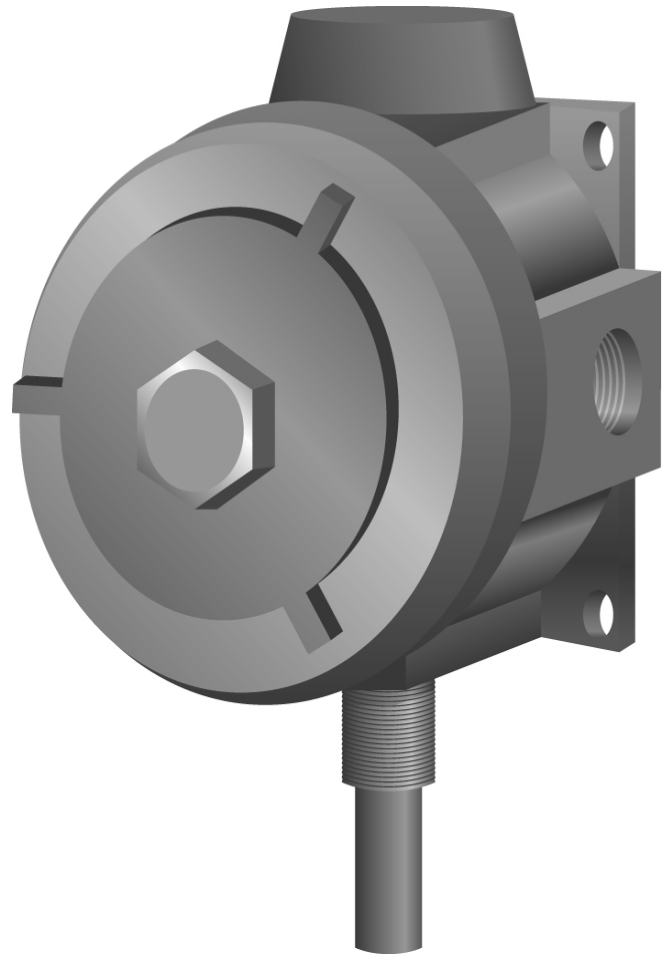
UNITHERM™
1660-18912 AMBIENT SENSING THERMOSTAT

Description

The Unitherm™ 1660-18912 thermostat is an explosion-proof and weatherproof temperature control in a lightweight die cast enclosure with a calibrated dial and an external knob adjustment for outdoor or indoor locations. The thermostat is approved for use in Class I, Groups B, C, and D; Class II, Groups E, F, and G; and Class III hazardous locations. The liquid-filled thermal system, with its stainless steel sensor stem, provides a very dependable accurate control system.

Wiring

For heater control, low alarm (close on falling temperature) use COM and NC.
 For high alarm (close on rising temperature) use COM and NO.



Specifications

Enclosure	Die cast aluminum with gray aluminum lacquer. NEMA 7; weatherproof, explosion proof Class I: Groups B, C, D; Class II: Groups E, F, G; Class III
Connection	Screw terminals on terminal block through 3/4-NPT hub
Switch	SPDT UL listed with external knob/dial adjustment and tamper-proof cover
Rating	22 amps at 480 VAC
Range	15° - 140°F
Sensor	304 SS sensor stem
Approval	UL Listed
Accuracy	±1% of adjustable range

FORM 1660-18912-010000

Copyright 2003 Dekoron/Unitherm. All rights reserved

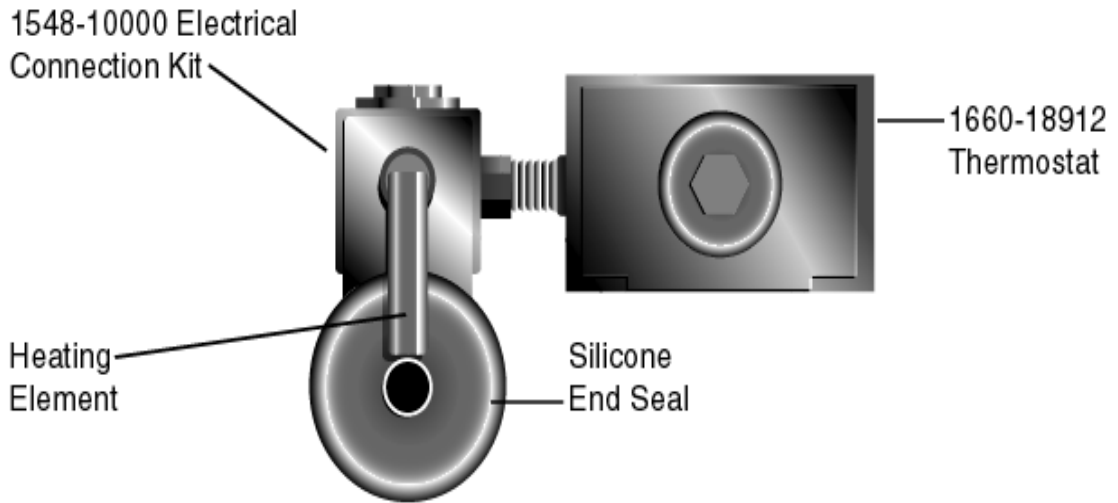
DEKORON/UNITHERM™

1531 Commerce Creek Blvd., Cape Coral, Florida 33909
 Phone: 239-995-8111 Fax: 239-995-8027 Printed in U.S.A

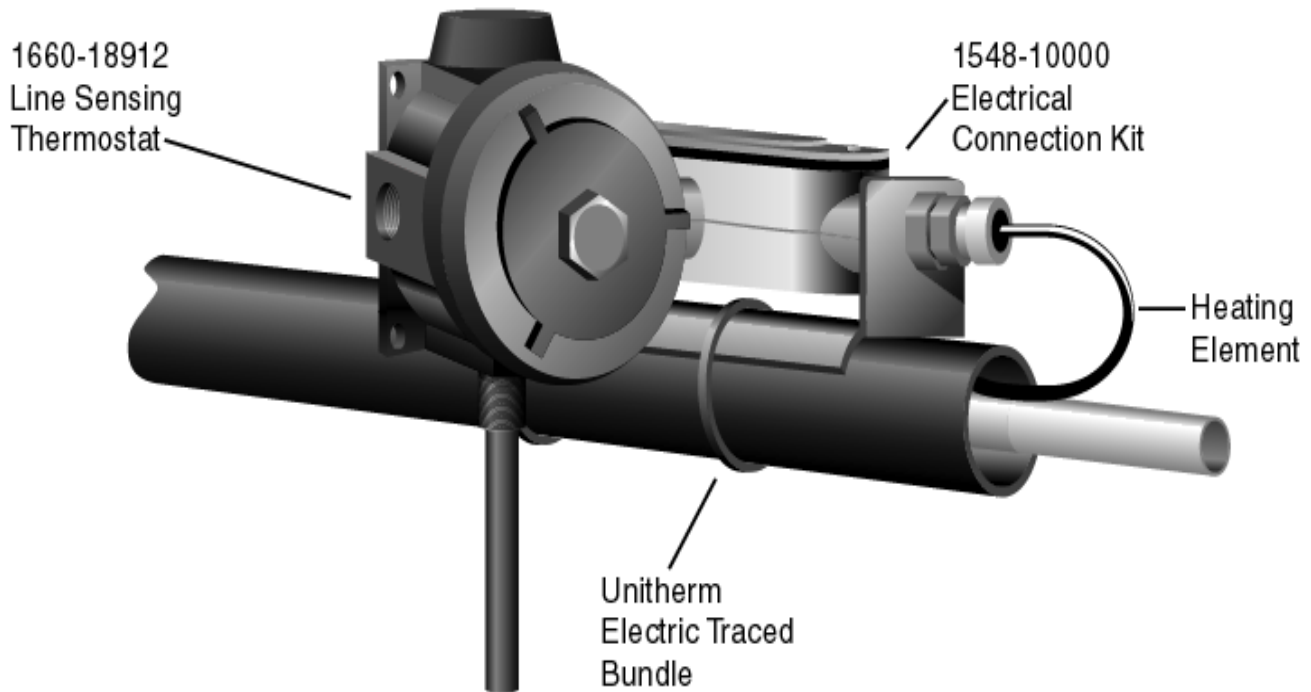
UNITHERM™ INSTALLATION INSTRUCTIONS

1660-18912 AMBIENT SENSING THERMOSTAT

Typical installation for a 1660-18912 ambient sensing thermostat mounted on an electric traced bundle.



End View



Plan View