

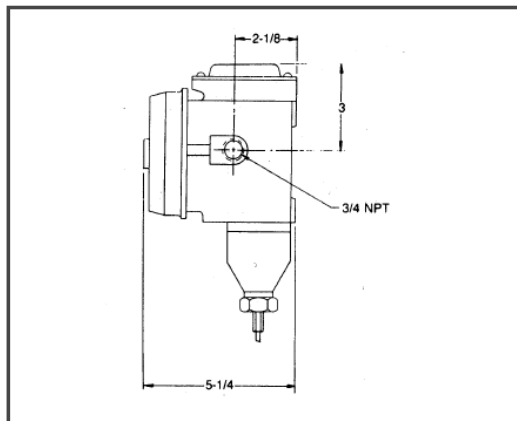
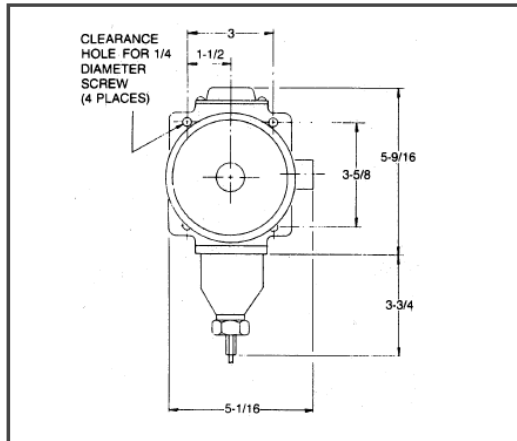
UNITHERM™
1660-13A12 LINE SENSING THERMOSTAT

Description

The Unitherm™ 1660-13A12 thermostat is an explosion proof and weatherproof temperature control in a lightweight die cast enclosure with a calibrated dial and an external knob adjustment for outdoor or indoor locations. The thermostat is approved for use in Class I, Groups B, C, and D; Class II, Groups E, F, and G; and Class III hazardous locations. The liquid-filled thermal system, with its stainless steel bulb and capillary, provides a very dependable and accurate control system.

Wiring

For heater control, low alarm (close on falling temperature) use COM and NC.
 For high alarm (close on rising temperature) use COM and NO.



Specifications

Enclosure	Die cast aluminum with gray aluminum lacquer NEMA 7; weatherproof, explosion proof Class I; Groups B, C, D: Class II; Groups E, F, G; Class III
Connection	Screw terminals on terminal block through 3/4-NPT hub
Switch	SPDT UL listed with external knob dial adjustment and tamper-proof cover
Rating	22 amps at 480 VAC
Range	25° - 325°F
Sensor	10 Ft. 304 SS capillary with 3/16" dia. x 10-1/4" SS bulb
Approval	UL listed
Accuracy	+1% of adjustable range

Form 1660-13A12-040903

Copyright 2003 Dekoron/Unitherm. All rights reserved

UNITHERM™ INSTALLATION INSTRUCTIONS

1660-13A12 LINE SENSING THERMOSTAT

Typical installation for a 1660-13A12 line sensing thermostat mounted on an electric traced bundle.

