



MP26-H1

Analytical diaphragm pump series MP[®]

Version MP26-H1 heated at 180 °C

- Heated up to 180 °C
- Corrosion resistant
- With excess temperature limit switch
- Alarm function for temperature failure
- 100% lubricant free
- Gas tight
- Maintenance free
- Long service life

Application

This M&C-pump MP26-H1 is suitable for corrosive gases. It is constructed especially for hot gas analysis technique.

Description

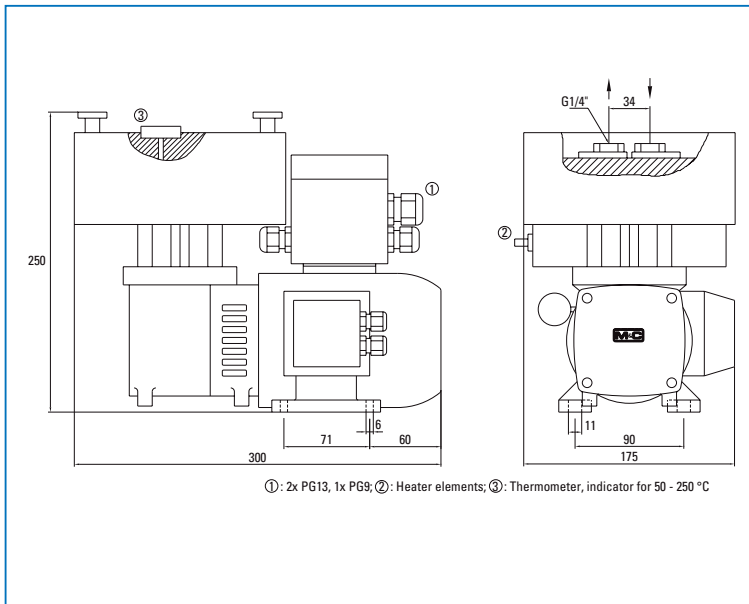
The M&C-pump MP26-H1 has an electrically heated head out of PTFE. The temperature is controlled by an integrated compact capillary sensor thermostat with an excess temperature limit switch and an alarm function for temperature failure. All sample contacting parts are made out of PTFE, the diaphragm mounting disc is out of nickel-plated stainless steel.

The pump works absolutely lubricant free, so gases remain analytically unchanged. Due to a special diaphragm and valve system, the pump operates maintenance-free.

In order to guarantee an operation without interferences, it is important to pay attention to the permissible overpressure. Therefore you must decrease or regulate the quantity of gas via a needle valve on the sucking side or via a pressure control valve or bypass on the pressure side.

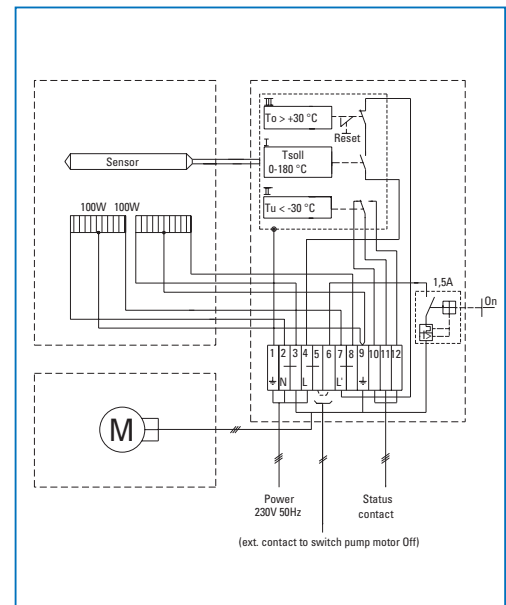
Dimensions

Electrically heated pump MP26-H1

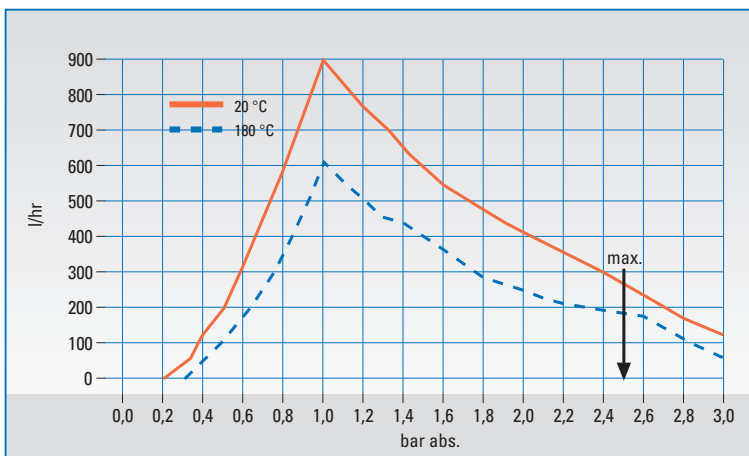


Dimensions in mm

Electrical connections



Performance characteristics MP26-H1



Technical Data

Diaphragm pump, heated series MP®	MP26-H1 10 l/min 230V 50Hz
Part number	02P1300
Capacity max.	10,0 l/min at 180 °C, without pressure
Operating pressure max.	0,3 to 2,5 bar abs.
Sample temperature	-20 to +200 °C
Ambient temperature	-10 to +40 °C
Storage temperature	-15 to +60 °C
Operation mode	100% continuous duty, start of the pump only without pressure!
Power supply	Motor = 230V 50Hz*, 1,1 A, incl. protective motor switch *Standard Heater = 230V 50Hz*, 2,0 A *Standard
Degree of protection	IP 44 - EN60529 *Standard
Temperature adjustment	0-180 °C, (180 °C set in the factory)
Temperature alarm contact	Alarm point: ΔT 30 °C to T_{set} , contact rating: 250V, 3A~, 0,25A =
Weight	6,5 kg
Sample connection	G1/4" i DIN ISO 228/1
Material of sample contacting parts	PTFE, (and stainless steel nickel-plated)