



SP 2020-H

Electrically heated gas sample probe series SP®

Version SP2020-H(220)/C/I/BB and SP2020-H(220)/C/I/BB/F

Heated sample probe with integrated valves for:

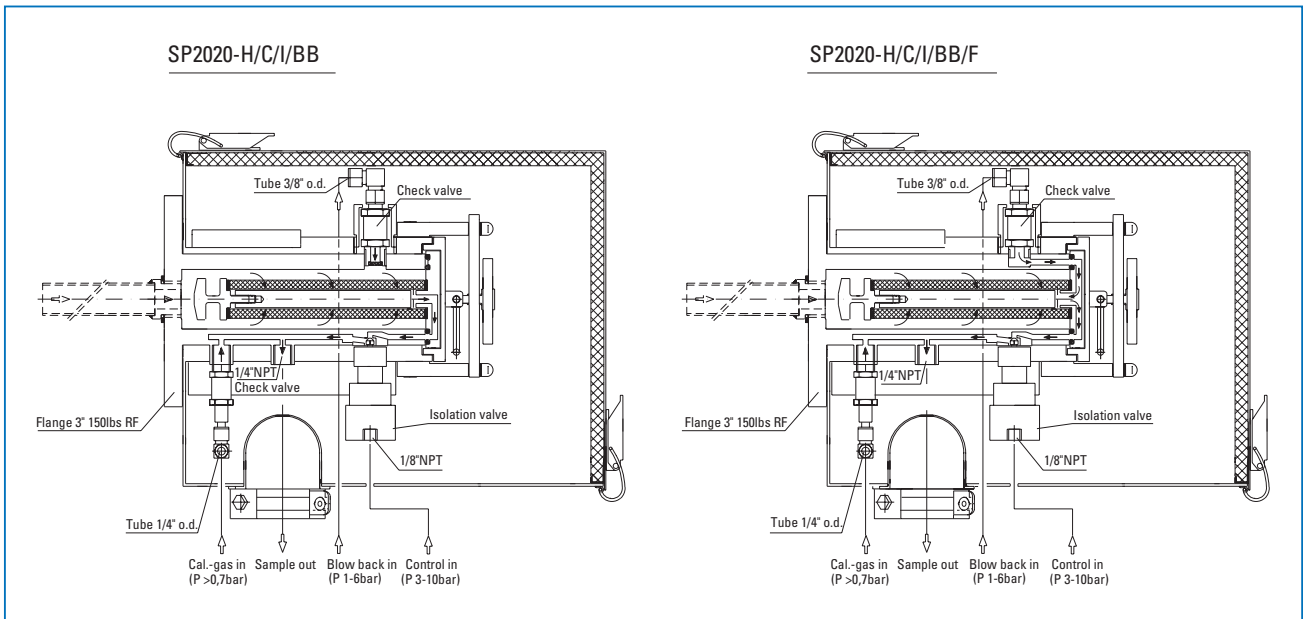
- Calibration gas injection
- Probe outlet isolation
- Blow back

Description

The M&C probe **SP2020-H(220)/C/I/BB** and **/BB/F** is based on the standard probe **SP2000-H**.

- Calibration gas will be injected into the probe through a check valve **/C** directly to the sample outlet. No calibration gas is lost into the stack.
- An isolation valve **/I** shuts off the sample outlet from the internal filter area.
- Through a high flow rate check valve **/BB**, which is fixed to the internal probe area, blow back of the filter housing area and the insitu probe tube will be done.
- Through a high flow rate check valve **/BB/F**, which is fixed to the filter housing wall, blow back of the incorporated ceramic filter will be done incl. the filter area and the insitu probe tube.

Dimensions



Dimensions in mm

Following options are included:	SP2020-H....
Flange	3" 150 lbs
Power	115V AC
Calibration gas connection	tube connector 1/4" o.d.
Blow back gas connection	tube connector 3/8" o.d.
Operating temperature max. 220 °C	/H220
Calibration gas injection valve	/C
Isolation valve	/I
Valve for blow back of the filter housing area	/BB
Valve for blow back of the incorporated ceramic filter	/BB/F

Technical specifications	SP2020-H/C/I/BB	SP2020-H/C/I/BB/F	SP2020-H220/C/I/BB	SP2020-H220/C/I/BB/F
Part Number	20S2020a	20S2025a	20S2021a	20S2030a
Operating temperature	max. 180 °C		max. 220 °C	
Power supply	115V 60Hz, 630W			
Calibration gas valve /C	Check valve, cracking pressure: >0,7 bar g connection: tube connector 1/4" o.d.			
Isolation valve /I	Bellow valve with pneum. actuator, control pressure: 3-10 bar g connection: 1/8" NPT i			
Blow back valves / BB Blow back valves /BB/F	High flow rate check valve, cracking pressure: >0,7 bar g, recommended: 3-6 bar g we recommend short pressure pushes to avoid decreasing of temperature in blow back area. connection: tube connector 3/8" o.d.			
Flange	material: stainless steel 316Ti, dimensions: 3" 150 lbs			

For further technical informations see standard probe SP2000-H.